

CI/SfB	(29)	(K2)
CAW P10		
Uniclass JP10:L68114		

Product Information

Description

FB750 Intubatt is a lightweight fire barrier comprising of a rock mineral fibre board with an uniquely identifiable ablative coating, containing Optifire™ unique traceability identifier.

Usage/Purpose

FB750 is designed to reinstate the fire performance of compartment walls and floors which have been breached by penetrating services, providing a fire, smoke, thermal, acoustic and air pressure seal.

FB750 must be used in conjunction with FS702 Intumastic to be suitable for sealing around the following service types: non-combustible pipes, cable trays, ladders and baskets (perforated or non-perforated), armoured cables, data cables, HV cables, cable bundles up to 100 mm.

FB750 can be used on flexible walls & rigid walls (90 mm or wider), rigid floors (150 mm or wider), beneath raised access floors / suspended floors and ceiling voids, as a continuation of the fire compartment.

When used with a Nullifire closer device (FS709 HP, FP302 Intustrap, FP220 Service Sleeve, FP170 Intucollar), FB750 Intubatt also becomes suitable for penetrating combustible services & conduits such as PVC, PE, PP, HDPE, PPR, PEX, Uponor and combustible ducting.

FB750 has also been tested to fire protect the underside of loaded timber floors for up to 120 minutes (BS 476 Pt 21). Typical areas of use include: health and leisure facilities, schools, universities, commercial buildings, hospitals, retail and industrial units and nuclear power plants.

Traceability & Product Identification

Nullifire is bringing unique identification technologies to the market by offering architects, specifiers, main contractors, and applicators guaranteed traceability of product on-site. Our traceability technologies are not visible to the naked eye and do not affect performance or product aesthetics.

FB750 features Optifire technology, a unique UV technology, activated by exposing the products surface to a UV light source, which offers easy & instant product identification.

Available Sizes

Dimensions

1200 x 600 x 50 mm (+-3 mm)

Density

140 kg/m³ core

or

180 kg/m³ core on request

Coating thickness

1 mm (-0/+3 mm)

Packaging

Supplied individually in clearly identifiable packaging (or in pallet quantities).

Availability

Direct from Tremco CPG UK Limited (see details on this TDS).

Usage Guidelines

Always read SDS, pre-application guidance and relevant application detail prior to application. Ensure the latest documents are downloaded prior to every project commencement.

Preparation

- Clean all abutting surfaces, ensuring loose particles, oils, grease or corrosive material have been removed.
- Ensure all services passing through the compartment penetration are suitable for use with FB750 and have been installed to the satisfaction of all relevant parties (we recommend checking TDS's as supplied by the manufacturer of the service).
- Identify all services types and ensure you have the required suitable Nullifire ancillary products available (e.g. FS709 HP).

Installation

- Measure the size of the opening and relevant centre positions of all services penetrating the compartment opening. Transfer these measurements to the face of the FB750. For pattress fit (surface mounted), the required overlap is typically 75 mm (may be reduced for ceiling shadow lines and

Nullifire

Smart Protection

FB750

Intubatt Coated Batt

up to
240
mins

optifire



Key Benefits Summary

- Up to 4 hours fire resistance - Tested to EN 1366-3 (up to 6.76 m² opening) and to BS 476 Pt 20/22 tested (up to 7.2 m² opening with framework)
- Optifire™ unique traceability identifier
- Acoustic & smoke sealing
- Air pressure tested up to 2000 Pa
- Suitable for use in flexible & rigid walls, rigid floors and under timber floors
- Easy to cut
- Allows for the thermal expansion of the services in ambient conditions

This product is certified to applicable European (EN) standards and UL-EU Mark service requirements.
CERT. N° UL-EU-01058-CPR



CE
ETA 21/0412

certifire
APPROVAL N° CF5343



FB750

Intubatt Coated Batt

Nullifire
Smart Protection

other obstacles- contact Technical Services).

- Ascertain the fewest number of cuts required and, using a suitable tool, cut the FB750 to the required and measured dimensions, allowing for 2 to 3 mm compression overall and any additional space require for the inclusion of ancillary products.
- Apply FS702 or FS712 to the areas of the opening and services that will contact the FB750. If required, use the suitable Nullifire ancillary product as per the requirements on the relevant product TDS.
- Install the cut pieces of FB750 into the opening, ensuring compression and bond using FS702 or FS712 (consult application details).

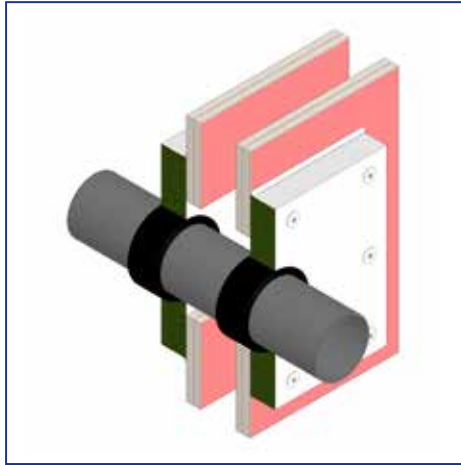
FB750 must not be dry fitted.

- Repeat the above ensuring FB750 and any required Nullifire ancillary product required, for the relevant service type, is included with the FB750 primary seal and the opening is completely sealed and air tight.
- Seal all joints, service, substrate abutments and irregularities using FS702, to ensure a complete fire, smoke, and air pressure and acoustic seal.
- In order to ensure the required EI (integrity & insulation) of the compartment or fire strategy to all services have been reinstated correctly, Nullifire FI025 Intuflex Insulation Wraps may be required to be applied around services abutting the FB750 barrier.
- If a double FB750 seal is to be utilised it is recommended joints should be staggered where possible.

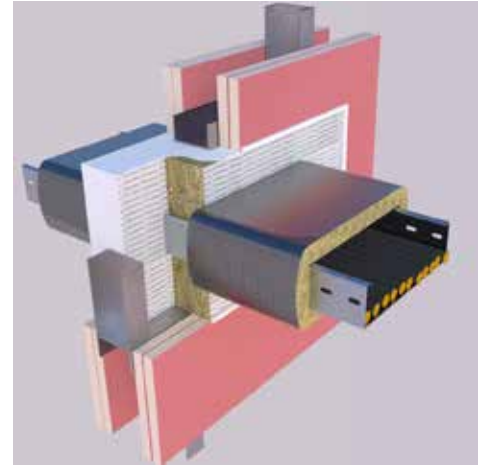
Important Information

- This product should not be in direct contact with CPVC pipes; FS719 HP Blue for CPVC should be used on the full depth of the FB750 Intubatt, to the correct annular space.
- If used around Pegler X-Press Carbon Steel pipes, the pipe manufacturer should be consulted, and their recommendations followed.

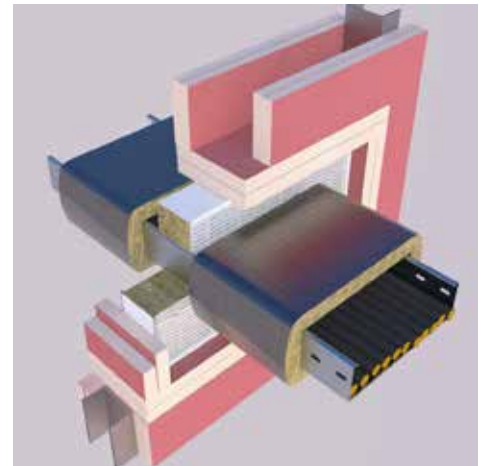
Typical Details



FB750 double batt patrix fit
+ FP302 Instustrap : up to EI120



FB750 double batt with FI025 Intuflex: EI120 when tested with the EN cable set



FB750 single batt with FI025 Intuflex: EI60 when tested with the EN cable set



FB750

Intubatt Coated Batt

Nullifire

Smart Protection

Technical information

Property	Test Method	Result
Composition		Compressed rock fibre, coated both sides
Dimensions		1200 x 600 x 50 mm
Manufacturing Tolerances		±3 mm
Available Densities (Core Weight)		140 kg/m ³ 180 kg/m ³
Acoustic Rating (Double Layer)	BS EN ISO 10140:2-2010	up to 57 dB for the 140 kg/m ³ version up to 59 dB for the 180kg/m ³ version
Durability	EN 13162 or EN 14303, EN ISO 1519	Z1
Reaction to Fire	EN 13501-1	Class E
Air Permeability	BS EN ISO 1023:2	Air tight up to 2,000 Pa
Application Temperature		+5°C to +60°C
Service Temperature		Maximum +70°C
Maximum Continuous Operating Temperature		+500°C (discoloration will occur)
Storage	Store in dry conditions between -10°C and +70°C. Do not store directly on concrete floors.	
Shelf Life	Unlimited when stored as advised.	

Health & Safety Precautions

Safety data sheet must be read and understood before use.

Technical Service

Tremco CPG UK Limited has a team of experienced Technical Sales Representatives who provide assistance in the selection and specification of products. For more detailed information, service and advice, please call Customer Services on 01942 251400.

Guarantee / Warranty

Tremco CPG UK Limited products are manufactured to rigid standards of quality. Any product which has been applied (a) in accordance with Tremco CPG UK Limited written instructions and (b) in any application recommended by Tremco CPG UK Limited, but which is proved to be defective, will be replaced free of charge.

No liability can be accepted for the information provided in this leaflet although it is published in good faith and believed to be correct. Tremco CPG UK Limited reserves the right to alter product specifications without prior notice, in line with Company policy of continuous development and improvement. It is a requirement of the installer to ensure suitability and compatibility of all elements before installation commences and that compliance can be achieved as required.