



Safer penetrations for fire stopping.

TECHNICAL DATA SHEET

SC35.36P – For Pipes

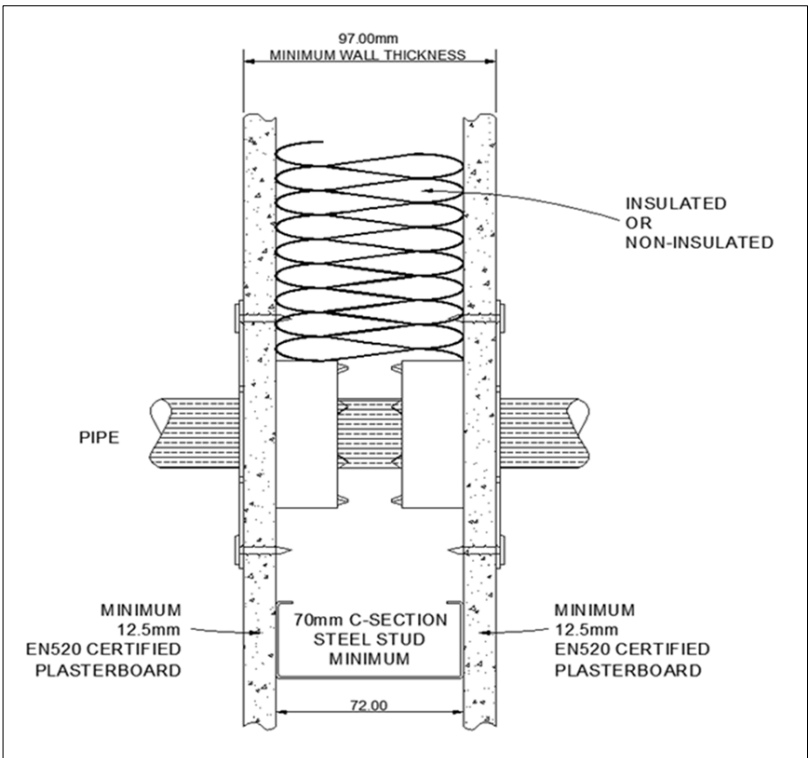
SpeedCutter SC35.36P has been designed as a faster all-in-one alternative to the traditional fire stopping of a service penetration. The hole cutter has a pre-installed reactive intumescent lining that acts as the firestopping element. A service penetration can be fire stopped in a matter of minutes by a trained operator at a fraction of the cost. No cartridges of intumescent sealants are required thereby creating a clean and green solution. SpeedCutter is Patent Protected.

Application:	PB and PEX Pipes
Fire Resistance Period:	30 Minutes
Insulation/Integrity (EI):	Insulation and Integrity
Test Standard:	BS EN 1366-3: 2009 & 2021

Minimum Wall Construction

SpeedCutter SC35.35P Minimum Requirements:-

- Minimum Board Requirements – 2 x 12.5mm Thick Gypsum Board 12.5mm to EN520 (either side of stud).
- Minimum of 70mm C-Section Steel Stud.
- Minimum overall wall thickness of 97mm.
- Wall may be insulated or uninsulated.

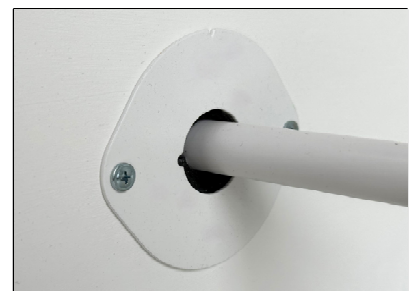
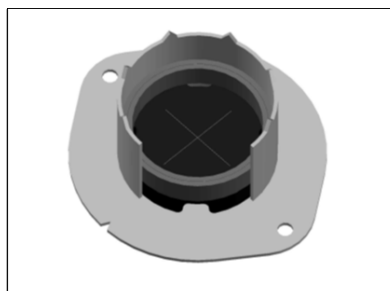
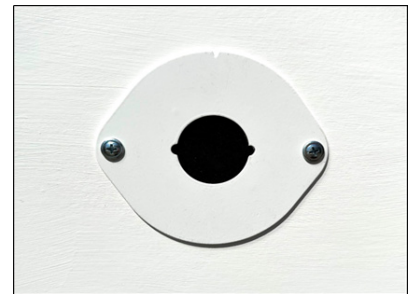


Pipe Types and Service Support

PB Pipe Diameter	10mm, 15mm, 22mm or 28mm
PEX Pipe Diameter	10mm, 15mm, 22mm or 28mm
Service Support – PB & PEX Pipes	No greater than 250mm from wall face on both sides
Pipe position within SpeedCutter	Central or Offset

Additional Features and Benefits

- Easy to install using SC Driver (Magnetic Interface).
- Removes a significant amount of potential human error from Fire Stopping.
- No plasterboard damage as each SpeedCutter has its own sharp teeth which create a smooth and clean cut.
- Once installed, the penetration is Fire Stopped allowing closure of ceiling. No drying, curing or finishing required.
- No wet trades or sealants required.
- No landfill waste to dispose of.
- Supplied in recyclable packaging.
- Central foam provides smoke and acoustic resistance.
- White powder coated finish to prevent rusting and provide an aesthetic finish.
- Classified according to EN 13501 - 2: 2023



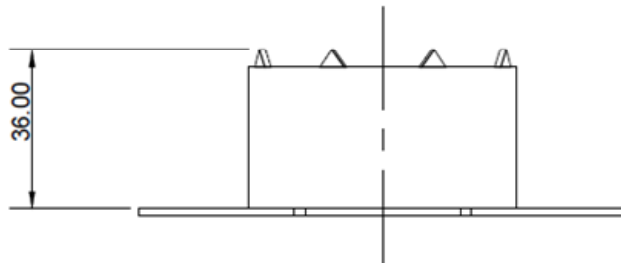
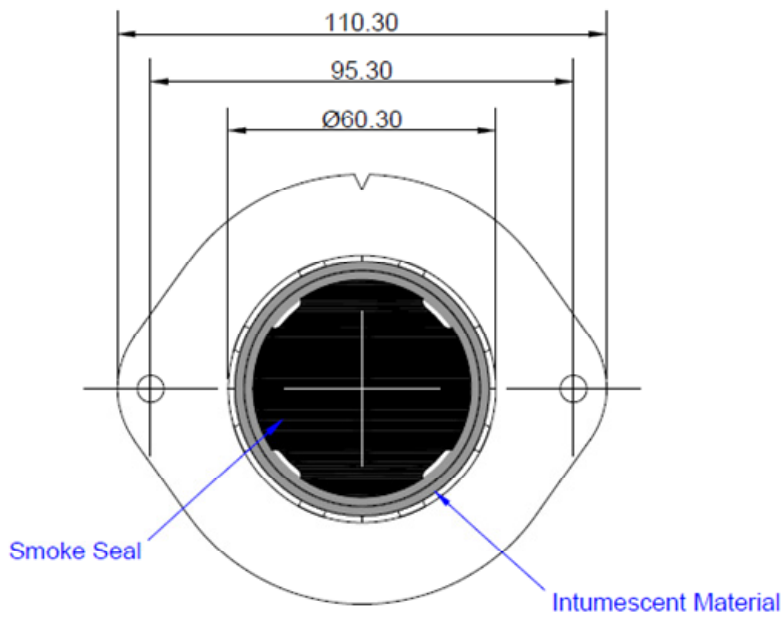
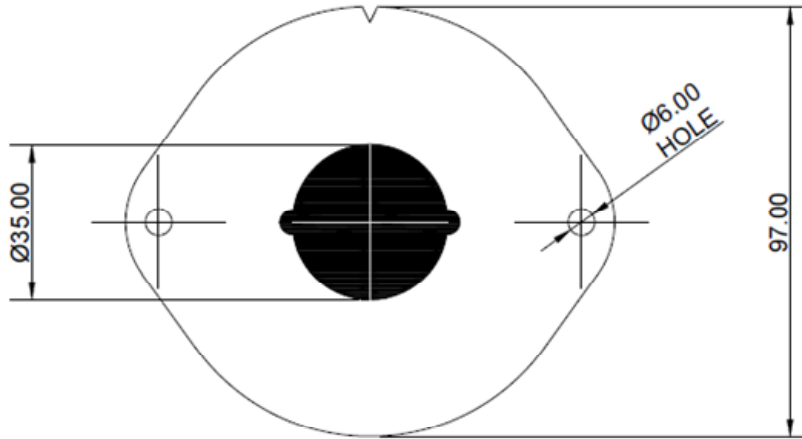


Safer penetrations
for fire stopping.

TECHNICAL DATA SHEET

SC35.36P – For Pipes

SpeedCutter SC35.36P Dimensions



Fire Stop Products Ltd

Fire Stop Products Limited
3 The Forum, Icknield Way Industrial Estate,
Tring, Hertfordshire, HP23 4JY
Tel: 01442-899942
www.firestopproducts.co.uk
Email: sales@firestopproducts.co.uk